

PRELIMINARY

THE ACR-225 AUTOMATIC SPOT PLAYER: RELIABILITY, FLEXIBILITY AND UNCOMPROMISING SIGNAL QUALITY

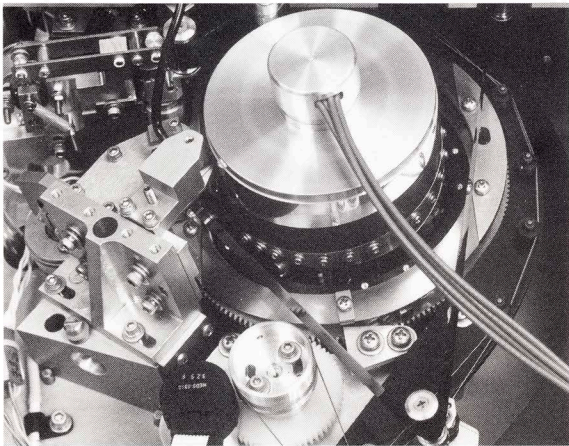


AMPEX

NO OTHER SPOT PLAYER CAN DELIVER THE RELIABILITY, FLEXIBILITY AND TRANSPARENT AUDIO AND VIDEO SIGNAL QUALITY OF THE ACR-225.

When we introduced the ACR-25 back in 1970 it quickly became the industry workhorse. Its reliability was, and still is, unmatched in the broadcast industry.

But demands on the broadcaster have increased, and so have demands on the spot player. We designed the new ACR-225 to meet your demands by delivering the highest reliability, greatest flexibility and most transparent signal quality yet available in a spot player.



Gentle and precise tape handling helps extend tape life in the ACR-225.

Increased reliability means improved profit

A spot player has to be reliable. It's the one piece of equipment in your station that generates income. So we've used the latest in robotic design to build in the kind of reliability you can count on—day after day, year after year.

In the ACR-225, the components in the cassette access mechanism are designed for a *ten year* lifetime of around-the-clock use. They've been proven, under load, for millions of operational cycles.

256 on-line cassettes

The ACR-225 holds 256 standard D-1 19mm digital cassettes.

With this capacity you could load your station's saturation spots—and leave them in the machine. In fact, you could handle an entire shift's spots without having to reload the spot player.

The cassettes are rugged too. They're designed for a 1000-play lifetime and provide 13 minutes of play length.

Bar code labels and an extensive database help you easily identify and catalog your cassette library

Cataloging your cassette library is now easier than ever because the ACR-225 does it for you. Spot description, cue point and duration, number of times played, and quality of playback are all stored for more than 10,000 cassettes in an internal library database.

Cassettes are automatically identified by a bar code label, so the ACR-225 does not have to thread the tape to know the cassette identification.

Identification and cueing information are also recorded directly onto the cassette. This assures that the spot played is the spot scheduled.

You can buy pre-printed labels from Ampex or a bar code printer is available as an option.

Cassette loading: fast and easy

Last minute changes to your playlist can be done quickly and easily on the ACR-225. Designated bins are provided for convenient loading and unloading of your cassettes, and the ACR-225 automatically keeps track of which bin is correct.

Unique new transport design provides fast, gentle tape handling

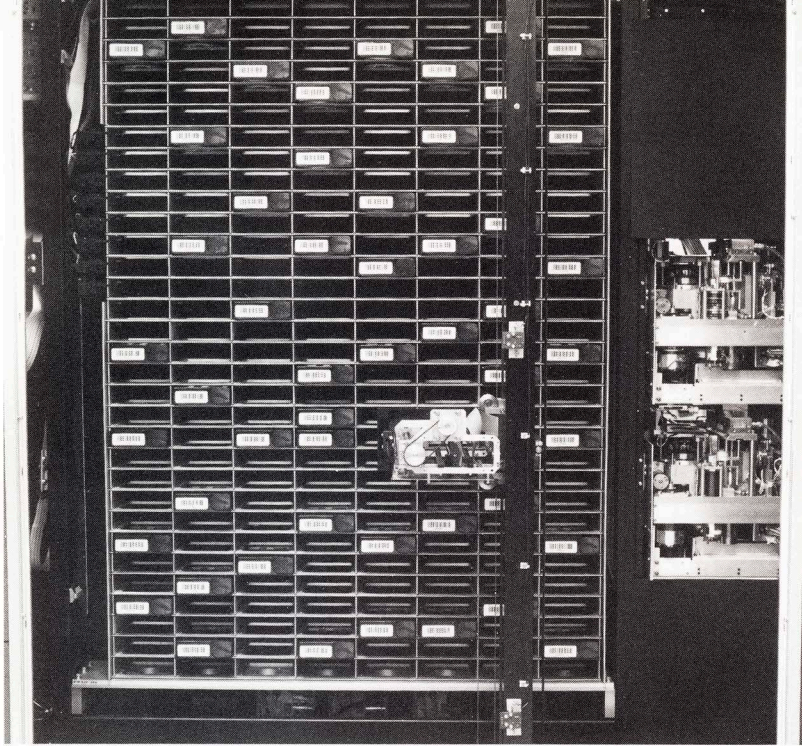
To support the long tape life required of a next generation spot player, Ampex created an entirely new transport concept.

In this new transport the tape is gently loaded onto the scanner at the exact helix angle. This greatly reduces the tape wear at the cueing point which can occur in spot players with conventional transports. Gas-film tape guiding also contributes to improve tape life in the ACR-225.

Simple to learn, simple to operate

An operationally efficient control panel lets you quickly and easily record cassettes and enter and edit playlists. Editing and modifying sequences is simple, even at the last minute.

For routine maintenance and troubleshooting, diagnostics are also provided at the control panel.



Digital recording means the finest video and audio quality ever available in a spot player

Through digital recording technology, the ACR-225 gives you and your advertising clients audio and video so transparent that it exceeds Type C.

The Ampex composite digital format of the ACR-225 fits right into modern broadcast facilities. There's no need for encoders and decoders with their accompanying cost and signal degradation.

With the ACR-225, video and audio generation loss is a thing of the past. Digital dubs are made right in the machine.

The digital format also adds to the machine's reliability with error correction and concealment no other format offers. Even with the loss of up to two heads, the

ACR-225 will continue to record and playback video and audio that is difficult to distinguish from the original.

New levels of machine control

An unparalleled level of automated control in the ACR-225 helps to reduce the element of human error in spot playing and recording.

A computer interface enables the ACR-225 to easily integrate with your station's computer control system.

To speed and simplify spot and sequence recording the ACR-225 can automatically control an external VTR over an RS-422 serial bus.

Other interfaces are also provided to drive external printers for logging, diagnostics and bar code printing.

The ACR-225 can access and cue any one of the 256 cassettes in eight seconds or less.

Four channel digital audio with stereo capability

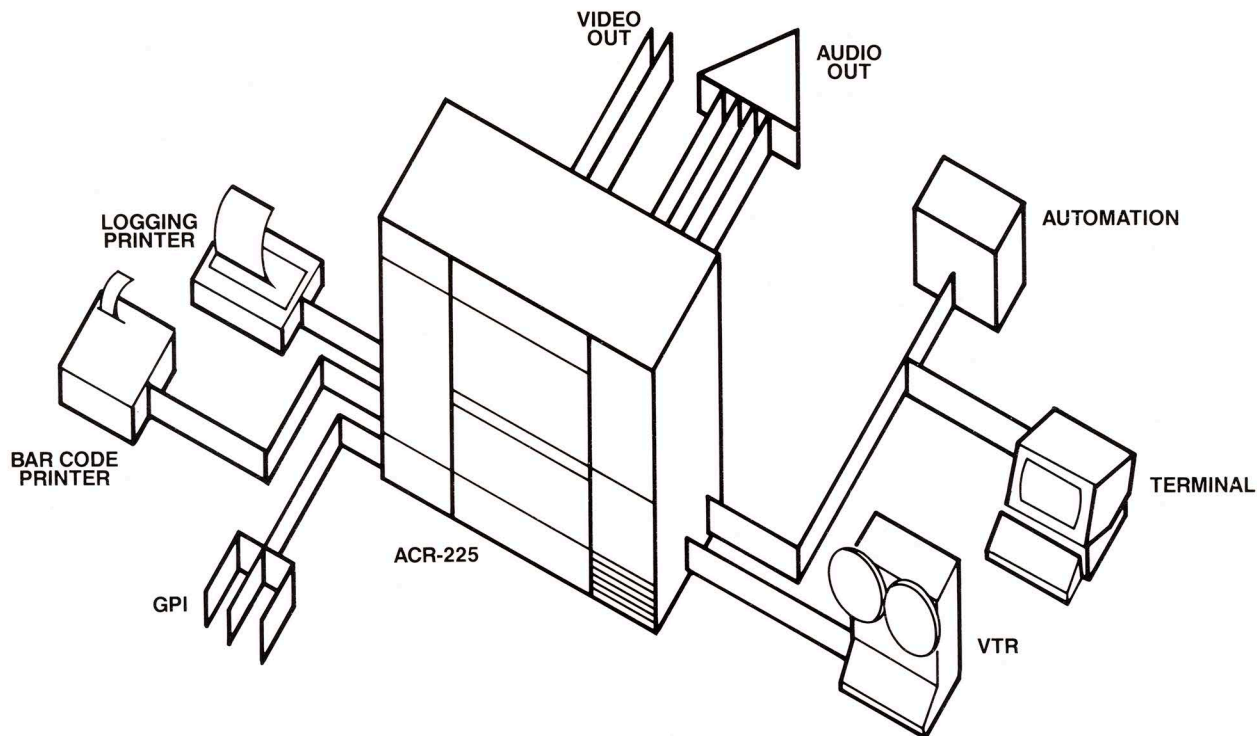
Clients today are demanding better audio, along with the ability to broadcast in stereo. In order to meet these demands, the ACR-225 provides four independently editable, 16 bit, digital audio channels. Also provided are analog tracks for cue, control and time-code. With the ACR-225, you'll be ready as the demands for better audio increase.

So if reliability, performance and transparent audio and video signal quality are all critical to your success, take a good look at the ACR-225. Any other spot player is just a compromise.



Standard D-1 19mm cassettes are automatically identified by a bar code label.





ACR 225 SYSTEM SPECIFICATIONS

Cassettes:
 Standard D-1 19mm small cassette
 Record/play time, 32 minutes
 Bin Storage: 256 cassettes maximum
 Transports: 3 standard, 4th optional
 Program Identification:
 User defined alpha- numerics, 16 character maximum
 Cassette Identification: Bar code label on cassette
 Access Time To Any Cassette: 8 seconds
 Back-To-Back Play Time:
 3 transport: 10 seconds
 4 transport: 7 seconds

EVENT LIST FUNCTIONS

Event entry: Manual and automatic list entry
 List editing: Insert, delete, cut/paste, copy and mark
 Playing: Manual, remote and automatic play modes

INTERFACES

Remote control: Contact closure and RS-422
 Event list entry: RS-232 and floppy disc
 Printer: Logging/Diagnostics, Bar code

SIGNAL SYSTEM

General: One record/play signal systems standard, 2nd optional
 Video: NTSC, composite digital
 Encoded at 4x subcarrier, 8 bit resolution
 Audio: 4 digital channels
 Encoded at 48 kHz, 16 bit resolution

GENERAL

Dimensions:
 Height: 80 inches (203 cm)
 Width: 80 inches (203 cm)
 Depth: 35 inches (83.8 cm)
 Weight: 2200 pounds (998 kg)
 Power: 190/210/230/250/270 VAC,
 50/60 Hz, single phase, 4000 watts

AMPEX

Ampex Corporation, Audio-Video Systems Division

FOR INFORMATION ON AMPEX BROADCAST VIDEO PRODUCTS CONTACT THE VIDEO SALES MANAGER NEAREST YOU.

CALIFORNIA
 (415) 367-2202
 Redwood City
 (818) 365-8627
 San Fernando

GEORGIA
 (404) 491-7112
 Atlanta

ILLINOIS
 (312) 593-6000
 Arlington Heights

MARYLAND
 (301) 530-8800
 Bethesda

NEW JERSEY
 (201) 825-9600
 Allendale
 (212) 947-8633
 New York

TEXAS
 (214) 960-1162
 Carrollton

UTAH
 (801) 487-8181
 Salt Lake City

WASHINGTON
 (206) 251-8682
 Kent

AUSTRALIA
 (02) 887-3333
 North Ryde, NSW

BAHRAIN
 (973) 531139

BELGIUM
 067/224921
 Nivelles

BRAZIL
 (021) 541-4137
 Rio de Janeiro

CANADA
 (416) 821-8840
 Mississauga, Ont.

COLOMBIA
 256-7728
 Bogota

FRANCE
 (01) 4270-5500
 Paris

W. GERMANY
 (069) 60580
 Frankfurt (Main)

HONG KONG
 3-678051
 Kowloon

ITALY
 (06) 55461
 Rome

JAPAN
 (03) 767-4521/2/3

MEXICO
 539 68 70/71/72
 Mexico, D.F.

NETHERLANDS
 030 612921
 Utrecht

SPAIN
 (91) 241-0919
 Madrid

SWEDEN
 08/28 29 10
 Sundbyberg

SWITZERLAND
 (037) 81 31 11
 Fribourg

UNITED KINGDOM
 (0734) 875200
 Reading, Berks

VENEZUELA
 782-3255
 Caracas